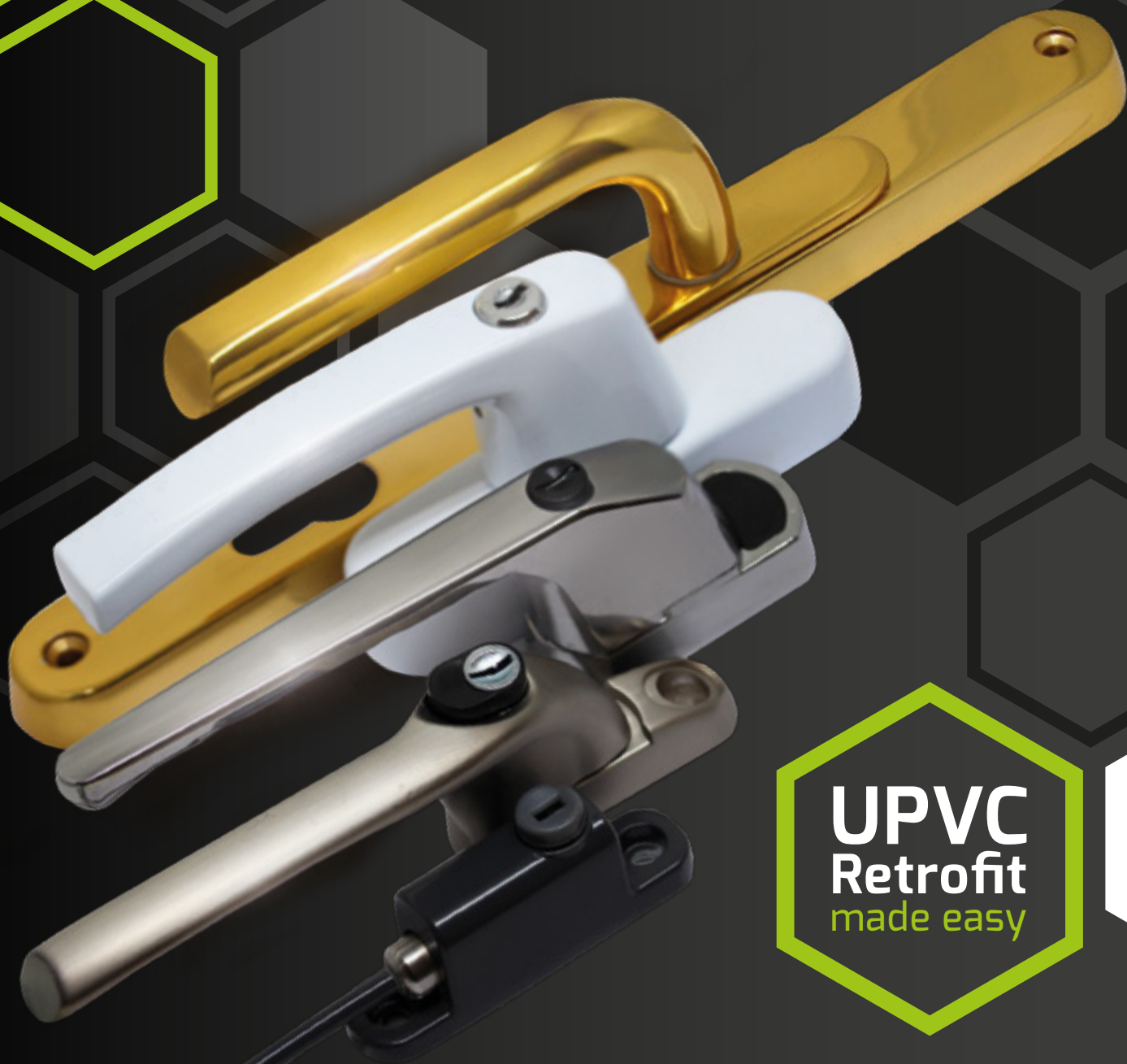


chameleon[®]
adaptable hardware



UPVC
Retrofit
made easy

Product Brochure

www.chameleonhardware.co.uk

CONTENTS

Door

- 4-5. Adaptable Door Handle PRO
- 6-7. Adaptable Door Handle PRO XL
- 8-9. Adaptable Door Handle PRO XL PAD
- 10. Adaptable Centre Conversion Plate
- 11. Adaptable Door Restrictor
- 12-13. Adaptable Retrofit MPL
- 14-15. Adaptable Retrofit Full Length MPL
- 16-17. Adaptable Retrofit Get Out of Jail
- 18. Adaptable Shootbolt
- 19. Adaptable Patio Door Handle

Window

- 20-21. Adaptable Window Espag Handle
- 22-23. Adaptable Window Espag Rod
- 24-25. Adaptable Cockspur Handle
- 26-27. Adaptable Tilt Before Turn Handle
- 28-29. Adaptable Drive Handle
- 30. Adaptable Drive Espag Rod
- 31. Adaptable Window Restrictor
- 32-33. Adaptable Friction Stay

Accessories

- 34-49. Adaptable Accessories
- 50. Pro Handle Instructions

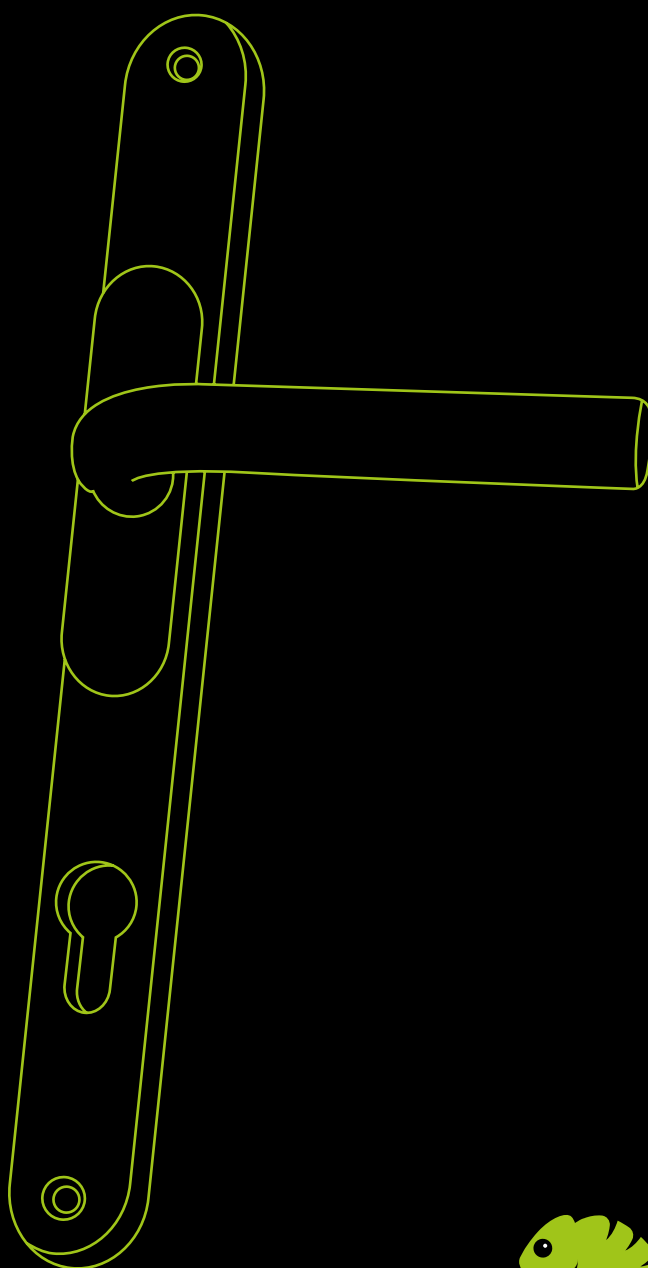
ABOUT

“Wouldn't it be great to have one product that can adapt to suit its surroundings”

We have created a solution to take the headache out of sourcing the right parts for the UPVC market. Chameleon gives you everything you need, all in one place, whether it is a replacement Handle, Window Restrictors or a Full MPL System.

UPVC Retrofit made easy...

sales@chameleonhardware.co.uk
www.chameleonhardware.co.uk



ADAPTABLE DOOR HANDLE PRO

Replaces the majority of Door Handles on the market

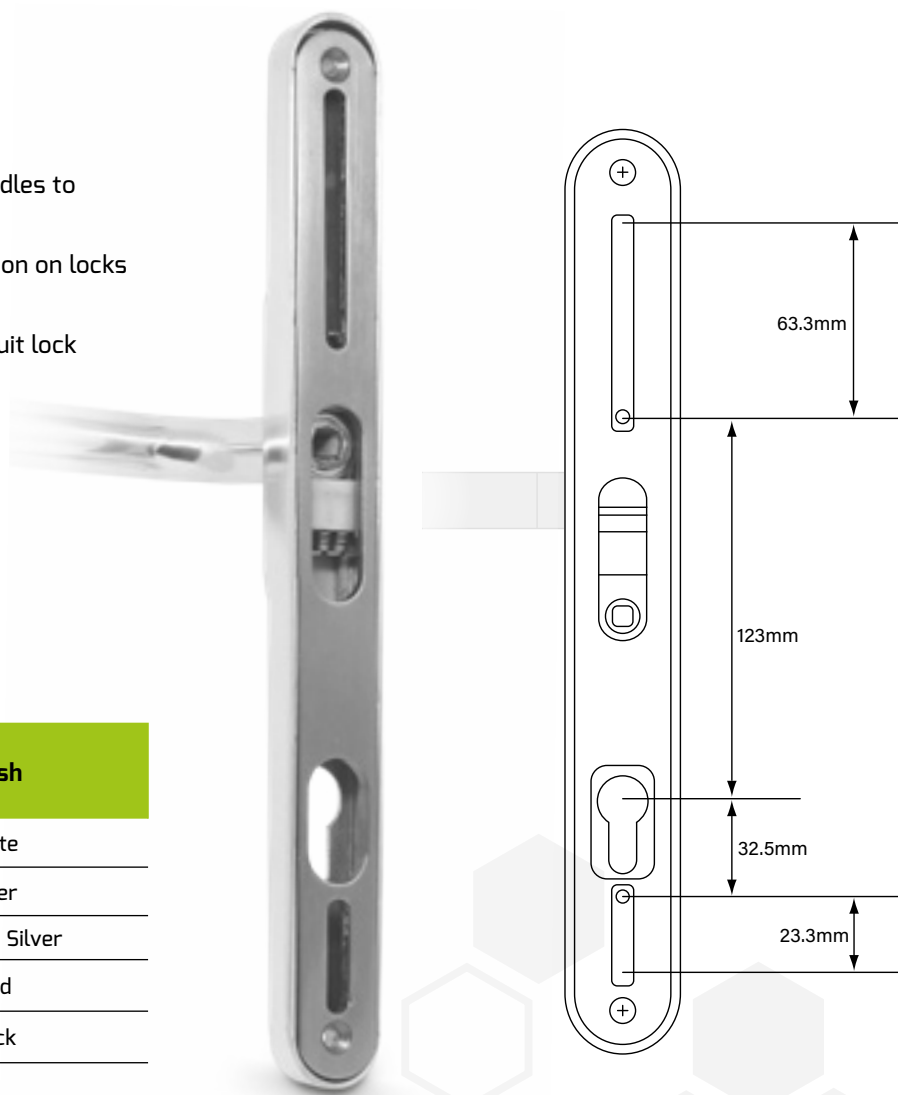
Pro 59-96mm Centres Adaptable Handle

An ideal retrofit solution, the Chameleon Pro Handle features an adaptable handle height (to accommodate both inline and offset centres between 59-96mm) and adaptable screw centres. Such flexibility is ideal for installers looking to reduce the amount of van stock they carry. This unit features concealed external fixings for superior security and the sliding mechanism is fitted with a nylon seal for ingress protection. This handle is available in a range of attractive finishes and is supplied complete with all plates, 8mm solid spindle (split spindles are available as additional products), fixings and an allen key.

- 10 Year Guarantee
- Operated By Euro Cylinder
- Reversible Handing
- Weather Resistant
- Double spring mechanism to allow handles to return to horizontal position
- Adaptable centres allow easy installation on locks with offset centres
- Adaptable vertical handle position to suit lock centres between 59-96mm
- Nylon seal on sliding mechanism to provide ingress protection
- Concealed external fixing head and outer plate for increased security
- Split Spindle sold separately (CH10323 See Page 37)

Replacing a handle with a centre screw?

- Then use the centre conversion to suit the Chameleon Pro, XL or PAD Handle it is ideal for retrofit applications where a screw fixing of 122mm is needed. The kit includes an inner backplate, an outer backplate and a 100mm countersunk M5 bolt (CH30069 See Page 10)



Product Code	Finish
CH30025	White
CH30026	Silver
CH30027	Polished Silver
CH30028	Gold
CH30068	Black

Adaptable Centres

Can replace most UPVC door handles using cleverly designed adaptable centres and backplate



Fixing Conversion Kit

(CH30069 See Page 10)



See it
in action



ADAPTABLE DOOR HANDLE PRO XL

Replaces the majority of Door Handles on the market

Pro XL Lever/Pad 59-96mm Centres Adaptable Handle

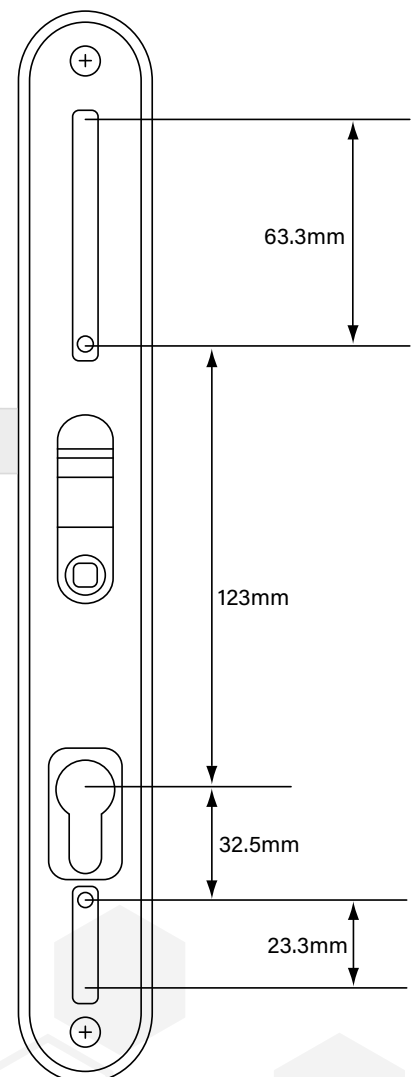
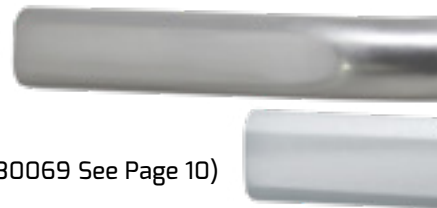
The Chameleon Pro XL Lever/Pad Handles feature an adaptable handle height (to accommodate both inline and offset centres between 59mm and 96mm) and adaptable screw centres. Such flexibility is ideal for installers looking to reduce the amount of van stock they carry. The XL's biggest benefit is that its larger faceplate which is over 3mm bigger making it an ideal retrofit handle which is capable of covering up all old screw holes and faded paint marks.

This unit features concealed external fixings for superior security and the sliding mechanism is fitted with a nylon seal for ingress protection. This XL size has been brought out due to demand for a wider backplate. Despite its ideal size the Chameleon Pro XL does not look bulky, by cleverly tapering the faceplate this has allowed it to still look neat and well-proportioned on any door and it has a new look designer curved handle that feels and looks more luxurious.

This handle is available in a range of attractive finishes and is supplied complete with all plates, 8mm split spindle & a solid spindle, fixings and an allen key.

- Adaptable backplate enables handle to accommodate a wide range of screw hole centres
- Adaptable vertical handle position to suit lock centres between 59mm - 96mm
- Concealed external fixing head and outer plate for increased security

- Double spring mechanism to allow handles to return to horizontal position
- Adaptable centres allow easy installation on locks with offset centres
- Nylon seal on sliding mechanism to provide ingress protection
- Fixing conversion kit (CH30069 See Page 10)



Extra wide 34mm backplate

Product Code	Finish
CH30086	White
CH30087	Black
CH30088	Brushed Silver
CH30089	Polished Silver
CH30090	Gold



Lever Handle
curved handle that
feels and looks more
luxurious

Key Feature

Faceplate is over 3mm bigger making it an ideal retrofit handle which is capable of covering up all old screw holes and faded paint marks

Tapered Backplate

The tapered backplate makes it ideal for retrofitting, providing an extra wide 34mm span while maintaining style



ADAPTABLE DOOR HANDLE PRO XL PAD

Pro XL Lever/Pad 59-96mm Centres Adaptable Handle

The Chameleon Pro XL Pad Handle is the newest member to the Pro line-up. When buying this handle not only do you get this new shape pad handle which fits comfortably in your hand it complements the outside to any door. The pack also contains one of our Pro XL lever handle which will sit beautifully on the inside of the door. This too has been designed to fill luxuriously to the touch and practical at the same time. The Pro XL Pad features the same footprint as the Pro XL which makes it an ideal door handle for any Pad handle replacement job.

This unit features concealed external fixings for superior security and the sliding mechanism is fitted with a nylon seal for ingress protection. Chameleon Pro XL Pad does not look bulky, by cleverly tapering the faceplate we have allowed it to still look neat and well-proportioned on any door.

This handle is available in a range of attractive finishes and is supplied complete with all plates, 8mm split spindle & a solid spindle, fixings and an allen key.

- Supplied with both a split spindle & a solid spindle to suit user requirements
- Fixed paddle handle
- Fixing kit for pad

Product Code	Finish
CH30097	White
CH30098	Black
CH30099	Brushed Silver
CH30100	Polished Silver
CH30101	Gold

The only Adaptable Pad Handle on the market

- Adaptable centres allow easy installation on locks with offset centres
- Concealed external fixing head and outer plate for increased security
- Adaptable vertical handle position to suit lock centres between 59mm - 96mm
- Sold separately fixing conversion kit (CH30019 See Page 10)
- Adapts this handle to replace one's with centre screws of 122mm



Tapered Backplate

The tapered backplate makes it ideal for retrofitting, providing an extra wide 34mm span while maintaining style

Key Feature

Faceplate is over 3mm bigger making it an ideal retrofit handle which is capable of covering up all old screw holes and faded paint marks



Pad Handle

Fits comfortably in your hand!

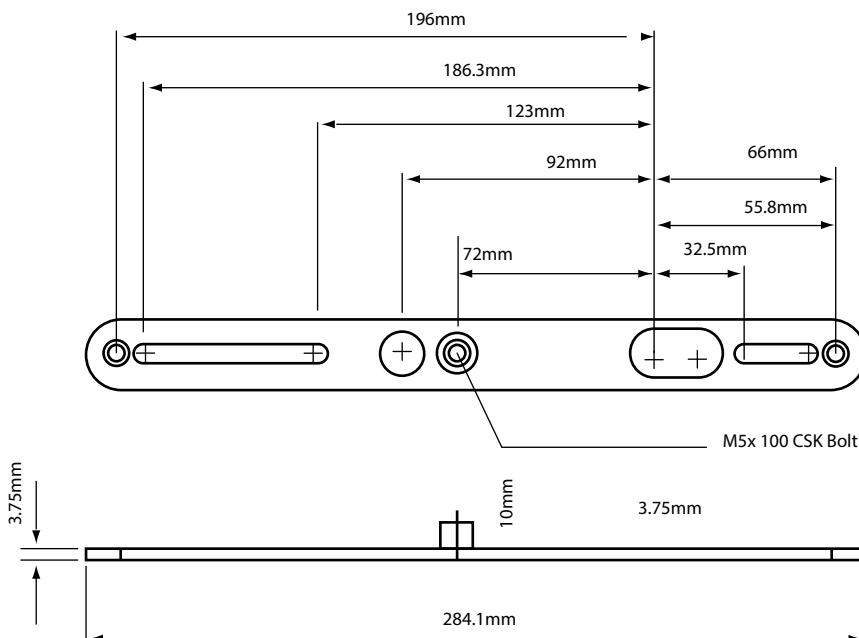


ADAPTABLE CENTRE CONVERSION PLATE

Pro 92 Centres 122mm Fixing Conversion Kit

The Fixing Conversion Kit to suit the Chameleon Pro, Pro XL & PAD Handle is ideal for retrofit applications where a screw fixing of 122mm is needed. The kit includes an inner backplate, an outer backplate and a 100mm countersunk M5 bolt.

- Top fixing adjustable by 178.8mm - 242.1mm if required
- Bottom fixing adjustable by 23.3mm
- Additional backplate to allow 122mm screw fixing
- Kit includes: 1 x internal inner backplate, 1 x external inner backplate & 1 x 100mm countersunk M5 bolt
- To be used with the Chameleon Pro, Pro XL or pad handles (See page 4 & 9)
- Reversible Handing



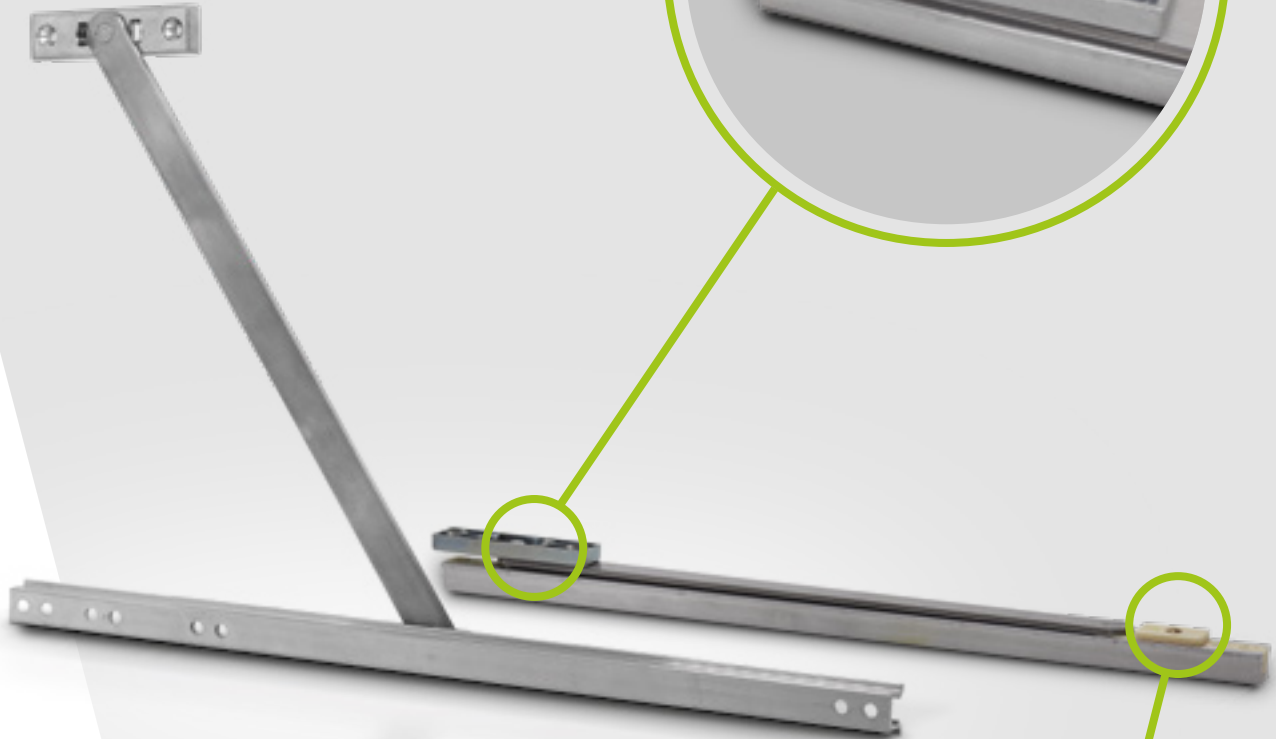
Product Code	Description
CH30069	122mm Fixing Kit

ADAPTABLE DOOR RESTRICTOR

Adaptable Door Restrictor

This door restrictor is easy to install and will only allow the door to be opened up to 90°.

- Limits the opening of a door to 90°
- Smooth operation
- Easy to install
- Fixings not included (CH18619 & CH18620 See Page 41)
- Reversible Handing



Key Feature

Built in plastic wedge for smooth opening

Product Code	Description
CH18665	Euro Groove Version



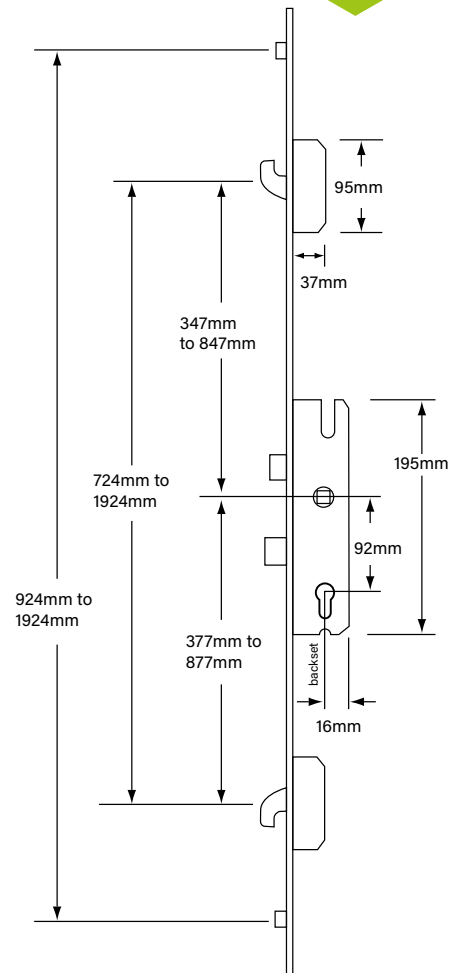
ADAPTABLE RETROFIT MPL

Replaces the majority of MPL's on the market

Repair Kits Contain: Gearbox + 2 Hook & 2 Roller Or 2 Mushroom & 2 Roller + Keeps

The Chameleon Adaptable Multi Point Lock 3 point locking system has been designed to retrofit the largest range of Multipoint locks on the market.

- 92mm Centres
- Operated by Euro Cylinder
- Available in 25mm, 28mm, 30mm, 35mm, 40mm, 45mm and 55mm backsets
- 16mm and 20mm faceplate
- Distance from spindle to top hook max 847mm -min 347mm
- Distance from spindle to bottom hook max 877mm - min 377mm
- Supplied in 3 interchangeable parts with serrated teeth
- Extensions can be cut to size
- Designed to suit UPVC, wood or composite door profiles
- Replacement parts for the All in one Repair Kit can be purchased individually
- Repair screws sold separately (CH18619 or CH18620 See Page 41)
- Split Spindle sold separately (CH10323 See Page 37)



Product Code	Description	Backset	Faceplate	Spindle
CH10575	All in one Repair Kit	25 (28), 30, 35mm	16mm	Lift lever
CH10576	Adaptable MPL Hook & Roller	25mm	16mm	Lift lever
CH10577	Adaptable MPL Hook & Roller	28mm	16mm	Lift lever
CH10578	Adaptable MPL Hook & Roller	30mm	16mm	Lift lever
CH10579	Adaptable MPL Hook & Roller	35mm	16mm	Lift lever or split spindle
CH10580	Adaptable MPL Hook & Roller	40mm	16mm	Lift lever
CH10581	Adaptable MPL Hook & Roller	45mm	16mm	Lift lever or split spindle
CH10582	MPL Roller & Mushroom	25mm	16mm	Lift lever
CH10583	MPL Roller & Mushroom	28mm	16mm	Lift lever
CH10584	MPL Roller & Mushroom	35mm	16mm	Lift lever or split spindle
CH10585	Timber Full MPL 2 Hook	45mm	20mm	Lift lever or split spindle
CH30001	Timber Full MPL 2 Hook	55mm	20mm	Lift lever



See it in action

See it in action



Tech Specs

Backset: 25mm, 28mm, 30mm, 35mm, 40mm 45mm or 55mm

Centres: 92mm

Spindle: Solid or split for Nightlatch application

Faceplate: 16mm or 20mm



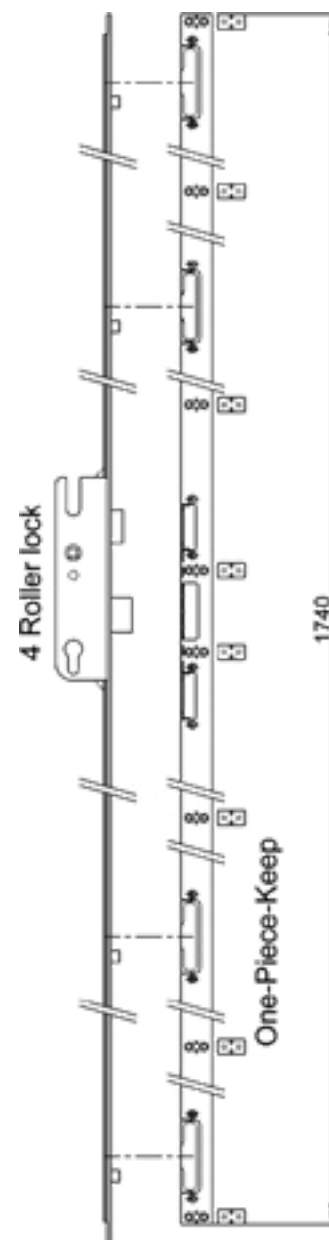
ADAPTABLE RETROFIT FULL LENGTH MPL

4 Roller Repair Lock Kit - Single Spindle With Full Length Keep:

The Chameleon 4 Roller Repair Lock Kit is supplied complete with one full length keep which is ideal for retrofitting as it neatly covers old fixing holes to provide a professional appearance. This is a non-handed unit with 92mm centres and a range of backset sizes to choose from, and with 4 rollers this is a traditionally reliable design of repair lock.

- 8 Multi-fit packers included to retro-fit the keep to suit your door frame
- Supplied with 1 piece reversible keep - neatly conceals old fixing holes for a professional finish
- Single spindle - suitable for most standard applications
- 1 deadbolt, 4 rollers
- Repair screws sold separately (CH18619 & CH18620 See Page 41)

Full length keep, covers old fixing holes



ADAPTABLE RETROFIT FULL LENGTH MPL

4 Roller Repair Lock Kit - Split Spindle With Full Length Keep:

The Chameleon 4 Roller Repair Lock Kit is supplied complete with one full length keep which is ideal for retrofitting as it neatly covers old fixing holes to provide a professional appearance. This is a non-handed unit with 92mm centres and a range of backset sizes to choose from, and with 4 rollers this is a traditionally reliable design of repair lock.

- Supplied with 1 piece reversible keep - neatly conceals old fixing holes for a professional finish
- Split spindle - suitable for lever / pad (nightlatch) application
- 1 deadbolt, 4 rollers
- 8 Multi-fit packers included to retro-fit the keep to suit your door frame
- Repair screws sold separately (CH18619 & CH18620 See Page 41)

Full length keep, covers old fixing holes



Product Code

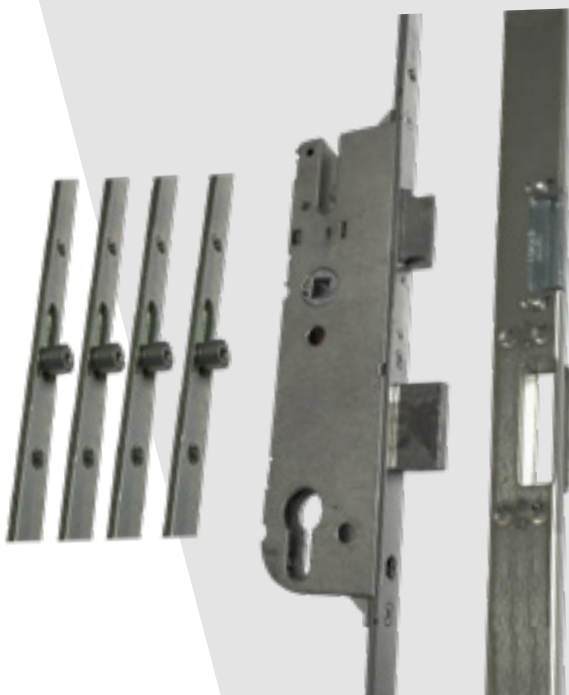
Description

CH30106

35mm Backset

CH30107

45mm Backset



ADAPTABLE GET OUT OF JAIL

Keep in your van
and **Don't** leave it
to chance

'Get Out Of Jail' UPVC Door Repair Kit

If you are looking for a UPVC door repair kit that will be able to suit the majority of locks on the market then this 'Get Out Of Jail' kit is for you. The kit has a choice of locking mechanisms and 2 sets of fully adjustable door furniture which are supplied with a screw centre conversion kit. The beauty of this kit is that all of the items are available individually so once you have used something you can top the kit up and be ready for the next job.

The kit contains 3 centre cases (with backsets 25mm, 30mm & 35mm with the 25mm faceplate being reversible which converts it to a 28mm), 2 locking point extension sets (2 x hooks & 2 x rollers and 2 x mushroom and 2 x rollers) and all strikes.

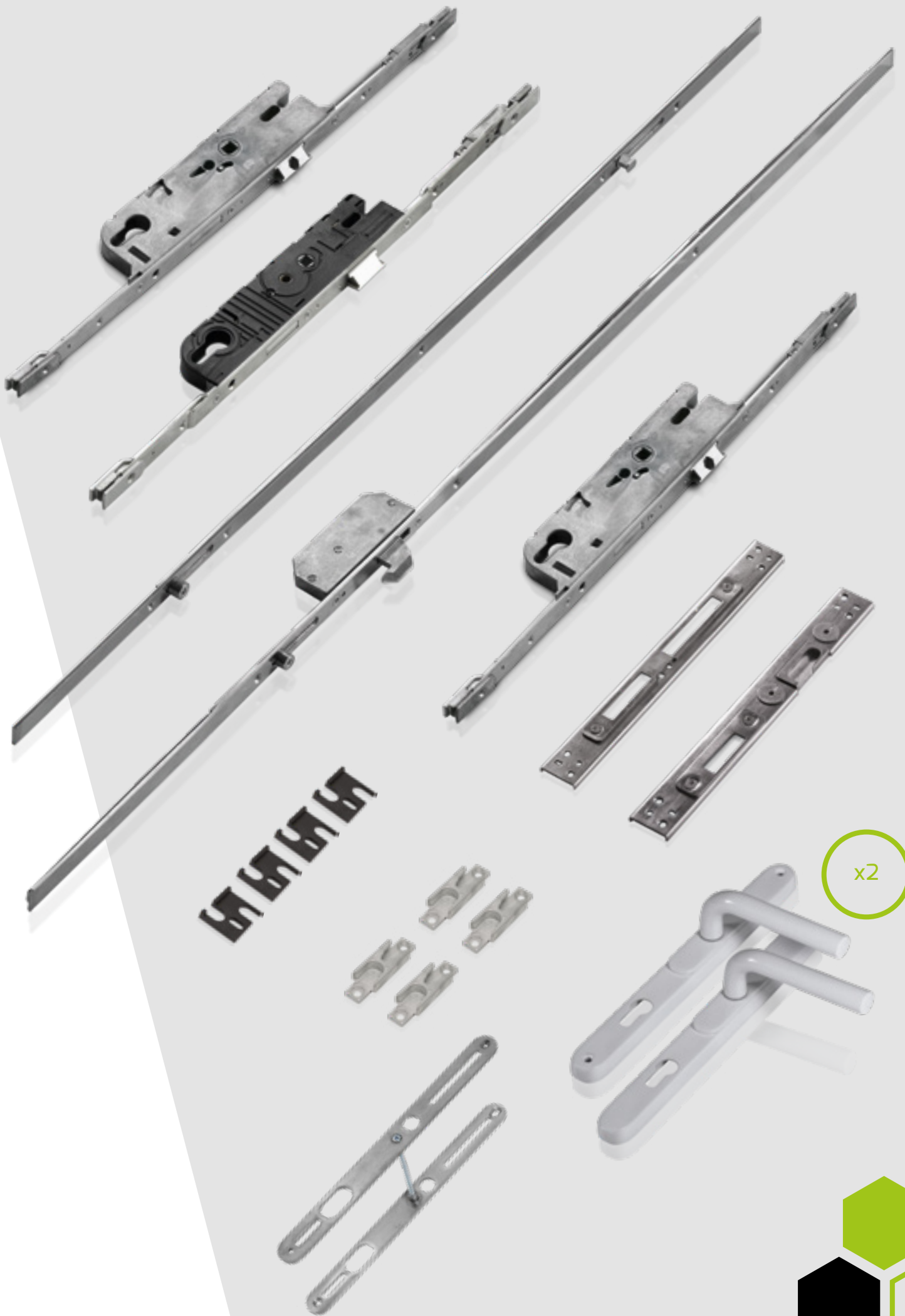
There are 2 sets of white Chameleon Pro Handles in the kit, they feature adaptable handle height (to accommodate both inline and offset centres between 59-96mm), adaptable screw centres, concealed external fixings for superior security and the sliding mechanism is fitted with a nylon seal for ingress protection.

The Fixing Conversion Kit to suit the Chameleon Pro Handle is ideal for retrofit applications where a screw fixing of 122mm is needed. The kit includes an inner backplate, an outer backplate and 100 CSK screws.

- 10 Year Guarantee
- 92mm Centres
- Operated By Euro Cylinder
- Weather Resistant
- Covers 25mm, 28mm, 30mm & 35mm (backsets 25m faceplate reverses to make 28mm)
- Supplied with 2 locking point kits (hooks & rollers and mushroom and roller)
Will suit the majority of applications
- Adaptable furniture accommodates a wide range of screw hole centres
- Supplied complete with strikes, handles and spindle conversion kit
- 3 centre cases supplied
- Offset Spindle sold separately (CH10323
See Page 37)
- Repair screws sold separately (CH18619 & CH18620
See Page 41)

Don't leave it to chance!

Product Code	Description
CH99999	Full Kit



x2

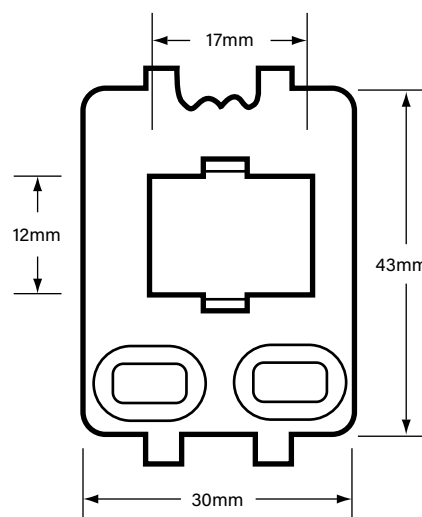


ADAPTABLE SHOOTBOLT

Adaptable Shootbolt

This French door shootbolt kit contains top & bottom bolts along with 2 keeps. They are usually used to secure the slave door or window in place to allow the active door or window to securely lock into it.

- Supplied as a pair (top & bottom with keeps)
- Suitable for both French doors and windows
- Will retrofit most models
- Repair screws sold separately (See Page 41)
- Suitable for Chameleon MPL (See Page 12 & 13)



Product Code

Pack Quantity

Length

CH18687

2 Bolts + 2 Keeps

250mm & 155mm

ADAPTABLE PATIO DOOR HANDLE

Adaptable Twin Locking Point Patio Repair Kit

This Twin Locking Point Patio Repair Kit includes a twin point locking mechanism, faceplate, keep, handles, packers and levers. Like many Chameleon products, this lock unit features an adjustable backset thanks to the included packers of various sizes. This kit is perfect for replacing an old or obsolete patio lock case and handles.

- Supplied without cylinder
- Ideal for replacing various obsolete patio locks
- Kit includes: Lock, faceplate, keep, handles and levers
- Available in a range of finishes
- Adaptable backset (18.5mm, 21.5mm, 24.5mm & 27.5mm)
- Euro profile



Product Code	Finish	Backset
CH30074	Black	18.5mm, 21.5mm, 24.5mm or 27.5mm
CH30075	Brown	18.5mm, 21.5mm, 24.5mm or 27.5mm
CH30076	Gold	18.5mm, 21.5mm, 24.5mm or 27.5mm
CH30077	Silver	18.5mm, 21.5mm, 24.5mm or 27.5mm
CH30078	White	18.5mm, 21.5mm, 24.5mm or 27.5mm

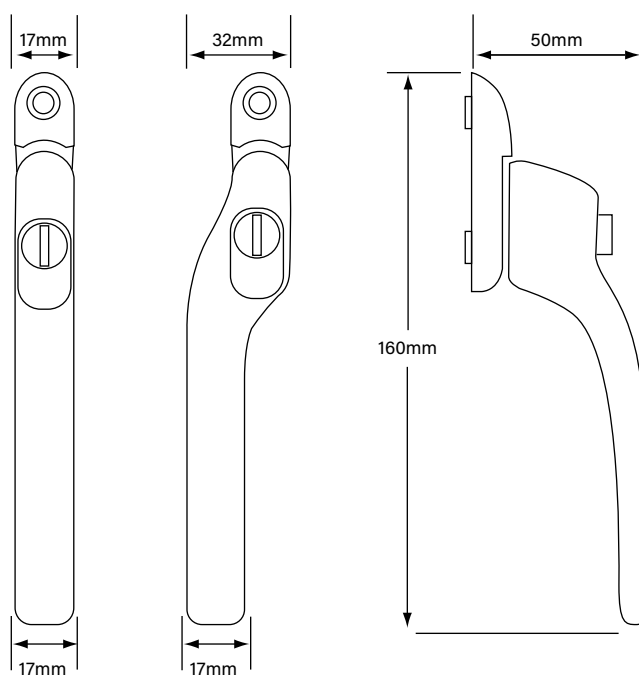
ADAPTABLE WINDOW ESPAG HANDLE

Adaptable Multi Spindle Inline and Offset Window Espag Handle

Replaces the majority of window Espag handles on the market

This espag handle is designed with both use and installation in mind and comes complete with 5 sizes of spindle so you don't need to cut anything down on site. Simply pop the required spindle into the back of the handle and it is ready to install, it comes complete with a key, fixing bolts and 5 spindles (10mm, 15mm, 30mm, 43mm and 55mm).

- Simple to fit
- Complete with 10mm, 15mm, 30mm, 43mm and 55mm spindles
- Handed or Non Handed
- Non-Locking Button (See Page 40)



Inline

Offset

Offset (Handed)		
Product Code	Handing	Finish
CH30004	Left Hand	White
CH30005	Right Hand	White
CH30006	Left Hand	Polished Brass
CH30007	Right Hand	Polished Brass
CH30008	Left Hand	Polished Chrome
CH30009	Right Hand	Polished Chrome
CH30010	Left Hand	Satin Chrome
CH30011	Right Hand	Satin Chrome
CH30012	Left Hand	Black
CH30013	Right Hand	Black

Inline (Non Handed)	
Product Code	Finish
CH18393	White
CH21468	Polished Brass
CH18394	Polished Chrome
CH14857	Satin Chrome
CH30033	Black

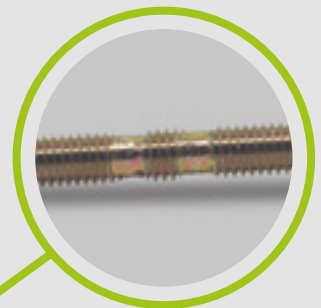
Magnetic Spindles

Spindles are magnetic and interchangeable which means no more cutting is required

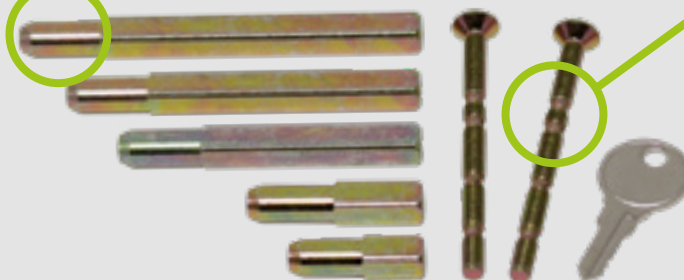


Croppable Screws

Croppable screws allowing for retrofitting to a range of window profiles



See it
in action



ADAPTABLE WINDOW ESPAG ROD

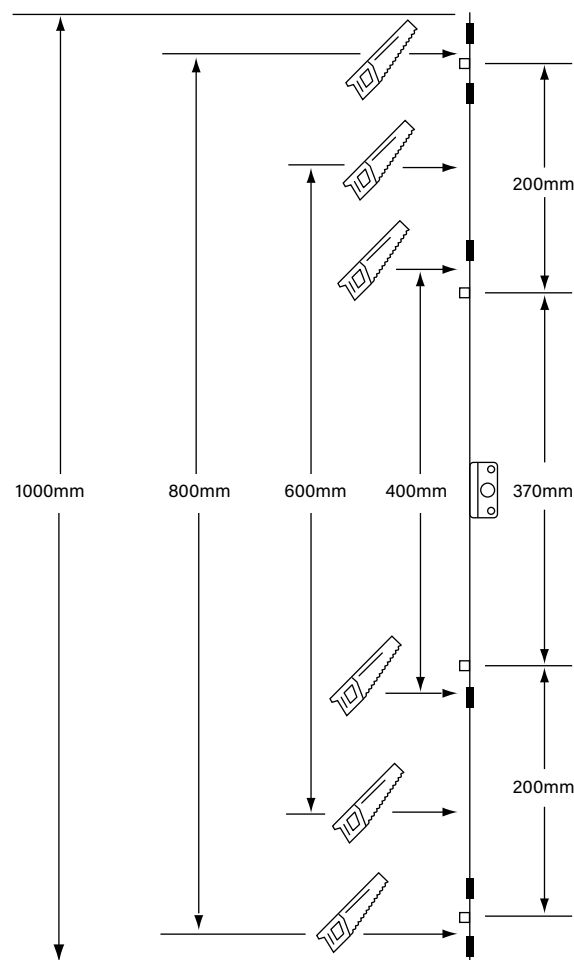
Replaces the majority of Window Espag Rod's on the market

Adaptable Window Espag Rod

This espag rod is extremely versatile, it is supplied as a 13mm wide inline 1 meter strip with 4 mushrooms however each side can be cropped up to 4 times in 10cm increments. The centre case has an 8mm follower, 2 threaded holes and slides 20mm to the side which rotates the follower from square to diamond.

The screw holes have plastic inserts which not only allow for tolerances when installing but act as pivot points to allow the locking mechanism to operate.

- Screw fixings have inserts which act as pivot points
- 4 mushroom locking points
- Mechanism is 1 meter long and 13mm or 16mm wide
- Threaded holes in centre case
- Can be cropped on either side in 10cm increments
- Centre case can slide 20mm & rotates the follower 45°
- Backset 21mm or 25mm
- Repair screws sold separately (See Page 41)
- Reversible Handing



Product Code	Backset	Faceplate
CH10470	21mm	13mm
CH10471	25mm	13mm
CH18615	25mm	16mm
CH18616	21mm	16mm

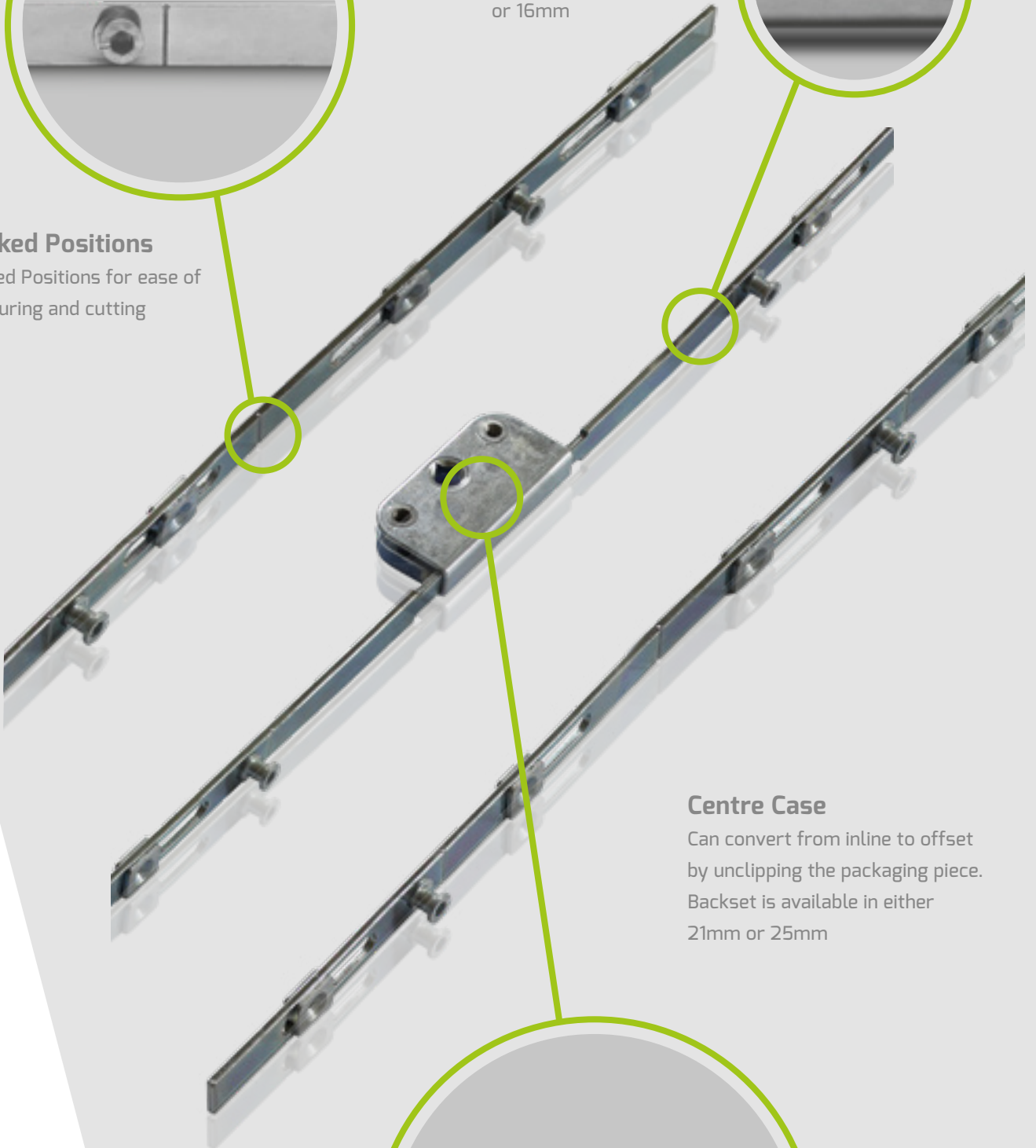


Marked Positions

Marked Positions for ease of measuring and cutting

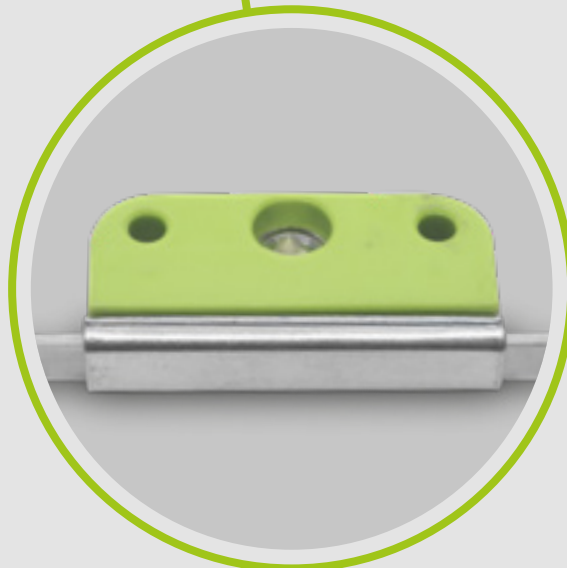
Faceplate Widths

Faceplate widths are available in either 13mm or 16mm



Centre Case

Can convert from inline to offset by unclipping the packaging piece. Backset is available in either 21mm or 25mm



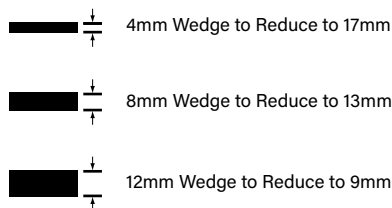
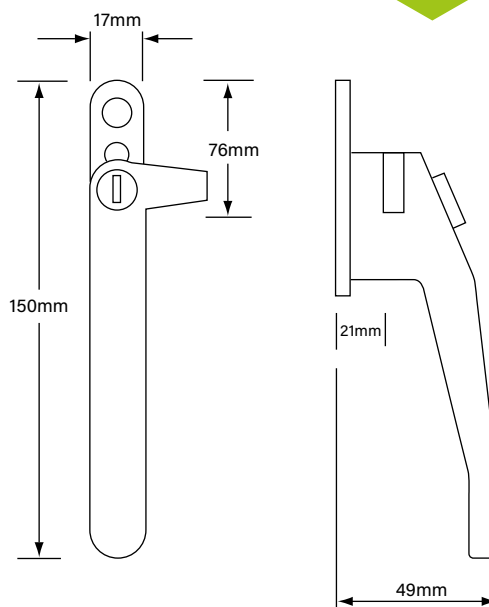
ADAPTABLE COCKSPUR HANDLE

Adaptable Cockspur Handle Kit

Replaces the majority of cockspur handles on the market

This adjustable cockspur handle is supplied complete with packers to allow it to be used where the stack height is between 9mm and 21mm. It is a handed product and is available in both left and right variants and a selection of colours. It is supplied with everything you need including key, packers, covers and grub screws.

- Key operated locking mechanism
- Supplied complete with 1 key
- Supplied complete with packers to make it suitable for step heights between 9mm and 21mm
- Available in left and right handed versions
- Available in a choice of finishes
- Repair screws sold separately (CH18619 & CH18620 See page 41)



Product Code	Handing	Finish
CH10457	Left Hand	White
CH10458	Right Hand	White
CH10459	Left Hand	Silver
CH10460	Right Hand	Silver
CH10461	Left Hand	Polished Brass
CH10462	Right Hand	Polished Brass
CH10588	Left Hand	Black
CH10589	Right Hand	Black
CH30031	Left Hand	Chrome
CH30032	Right Hand	Chrome

Elongated Screw Holes

Elongated screw holes to allow easy fitting

Interchangeable Plastic Packers

Interchangeable plastic packers supplied in complimentary finish



See it
in action





Range of attractive finishes



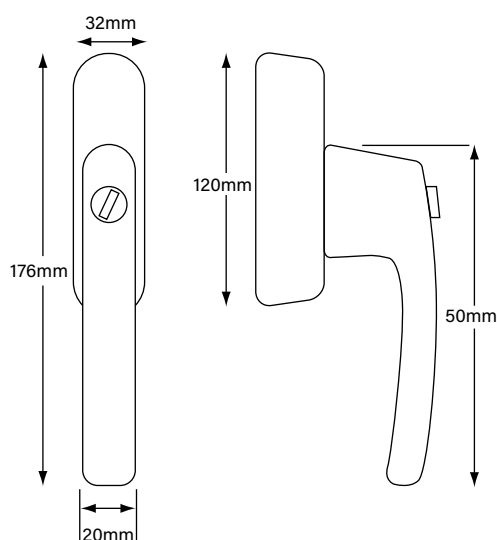
ADAPTABLE DRIVE HANDLE

Adaptable Window Blade/Fork Drive Handle

Replaces the
majority of Drive
handles on the
market

The Chameleon replacement tilt & turn window handle features a unique design which allows for an interchangeable fork or flat plate fitting. This is ideal for commercial jobs where the fitting type of the original handle may be unknown. The handle comes with both fork and flat plate fittings, 2 keys and 2 fixing screws.

- The handle can be locked with the key in either the top or bottom positions
- Interchangeable fixing position
- Often used on commercial applications
- The handle will engage in four positions
- The handle drives a fork or a blade (whichever is required)
- Supplied with 2 keys & 2 fixing bolts



Product Code	Dimensions	Finish
CH21805	40mm x 14mm/24mm	White
CH21806	40mm x 14mm/24mm	Silver



Interchangeable fixing position

The V-Blade locking blade or fork drive handle is a unique handle that features an interchangeable fork or blade drive

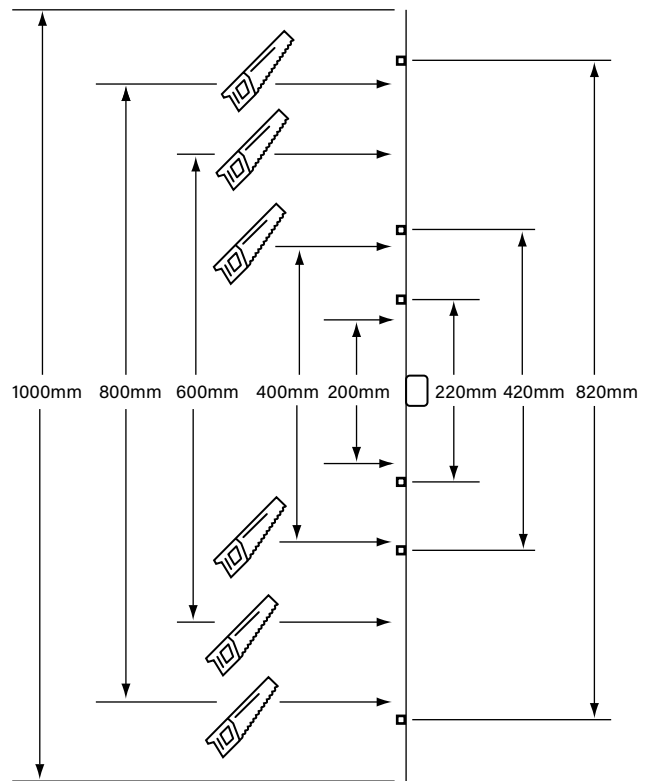
ADAPTABLE DRIVE ESPAG ROD

Replaces the majority of Peg Espag Rod's on the market

Universal All-In-One Aluminium Peg Espag Rod

This all-in-one peg or blade driven espag rod is a unique replacement system, it is supplied as a 11mm wide inline 1 meter strip with 6 mushroom locking points however each side can be cropped up to 5 times in 10cm increments. The versatility of this product makes it a must-have for vans and tradesmen and is supplied complete with fixing studs and features a variable backset.

- Mushroom height: 6mm
- Croppable to 0.2m, 0.4m, 0.6m, 0.8m or 1m
- Supplied complete with fixing studs
- Variable backset
- Drive Handle CH21805 & CH21806 available (See Page 28 & 29)
- Repair screws sold separately (See Page 41)
- Reversible Handing



Product Code	Description
CH30095	Croppable

ADAPTABLE WINDOW RESTRICTOR

150mm Locking Window Cable Restrictor

This restrictor is simple to fit and limits the distance a window can open, if a key holder unlocks the device and removes the cable this will then allow the window to fully open. It is ideal for home & commercial safety and is suitable for use on most types of window.

- 150mm cable length
- Easy to install
- Helps to prevent fatalities and injuries
- Key operated to ensure authorised access only to full window opening
- Suitable for all window types
- Perfect for home, public and commercial applications
- Reversible Handing
- Supplied With 1 Key



Product Code	Finish
CH30072	Black
CH30073	Grey
CH10001	White
CH10002	Brown



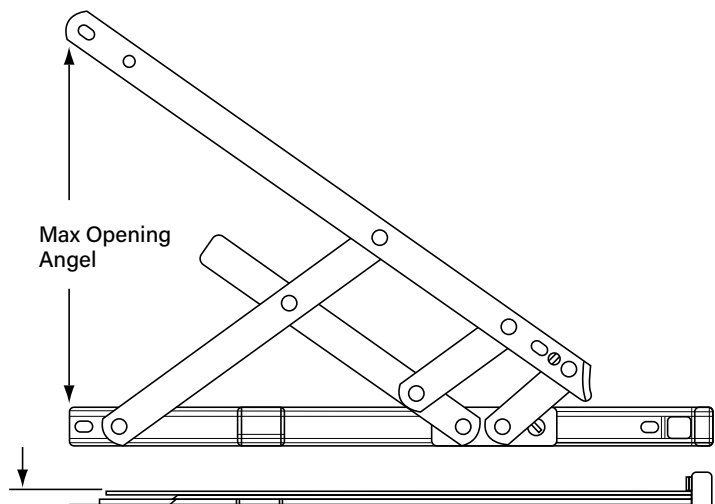
ADAPTABLE FRICTION STAY

Adaptable Side/Top Hung Friction Stay

Replaces the majority of Friction Stay's on the market

These side or top hung friction hinges are supplied in pairs with packers to change them from a 13mm stack height to a 17mm stack height, this means that you now only have to stock one product to cover both applications. They have a foolproof locating system to ensure reliable and accurate closure, have a very smooth operation and offer effective weather and draught proofing.

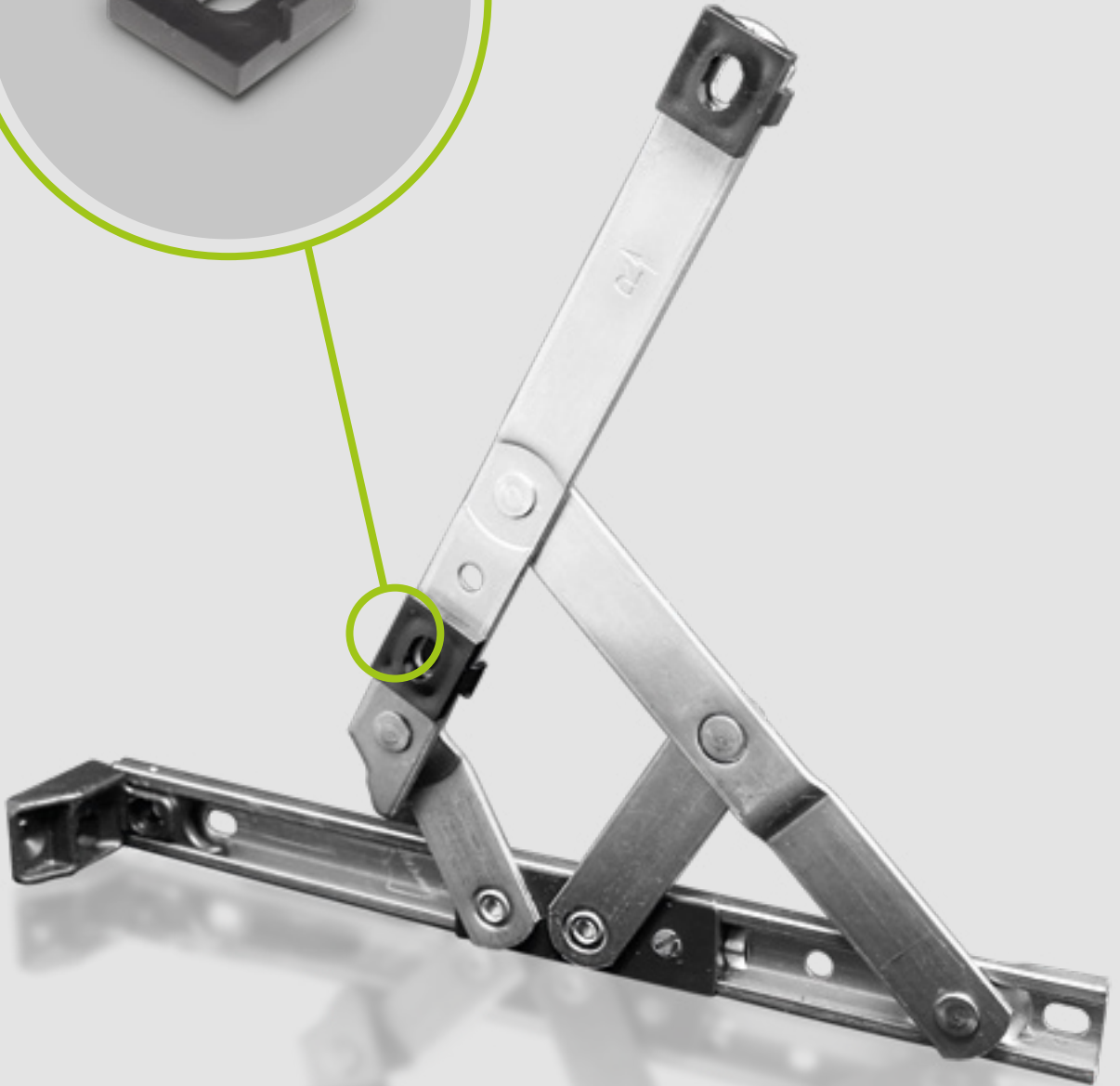
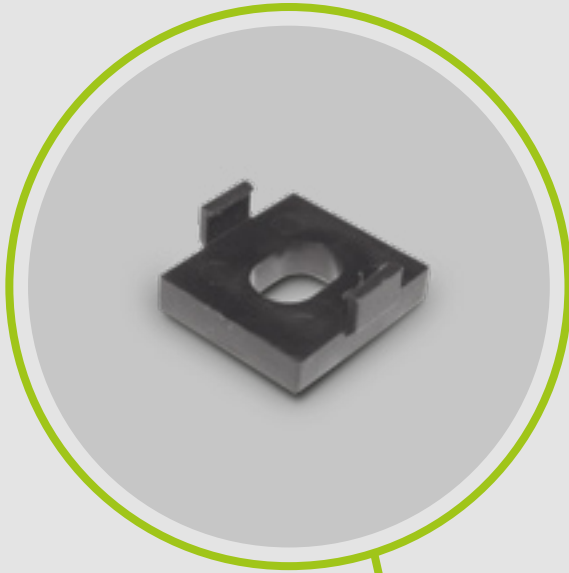
- Friction hinges are supplied in pairs
- Smooth operation
- Supplied with packers to allow stack heights of both 13mm and 17mm
- Foolproof locating system ensures reliable & accurate closure
- Effective weather and draught proofing
- Repair screws sold separately (CH18619 & CH18620 See Page 49)



Product Code	Description	Stack Height
CH10645	Side Hung Friction Stay 300mm 12"	13mm or 17mm
CH10646	Side Hung Friction Stay 400mm 16"	13mm or 17mm
CH10647	Top Hung Friction Stay 200mm 8"	13mm or 17mm
CH10648	Top Hung Friction Stay 250mm 10"	13mm or 17mm
CH10649	Top Hung Friction Stay 300mm 12"	13mm or 17mm
CH10650	Top Hung Friction Stay 400mm 16"	13mm or 17mm
CH10651	Top Hung Friction Stay 500mm 20"	13mm or 17mm
CH10652	Top Hung Friction Stay 600mm 24"	13mm or 17mm

Packers

Supplied with 4mm packers
to convert 13mm stack height
to 17mm



ADAPTABLE ACCESSORIES

Gasket Sample Selector Keyring

Chameleon key ring holding sample pieces of gaskets, strip seals and jailer's keyrings.

- Easy gasket identification
- Gasket sample keyring
- Allows the client to see what is being fitted
- Approximately 25 samples



Product Code	Description
CH30102	24 Samples

Handleblocker Repair Window Espag Handle Pair

The Chameleon Handleblocker is a combined window espag handle and sash jammer which is ideal for repairing or securing broken or vulnerable windows. The offset handles are supplied in pairs with one for left hand and one for right hand use, as well as 1 key, fixings, optional spindle and screw cover caps.

- Supplied in pairs - 1 left hand, 1 right
- Combined window handle and sash jammer
- Ideal to secure or upgrade broken or vulnerable windows
- Supplied with 35mm removable spindle, 1x base packer and 3x packers
- To suit backsets from 21mm to 23mm
- Repair screws sold separately (See Page 41)



Product Code	Finish
CH30109	White

ADAPTABLE ACCESSORIES

Adaptable 160° Degree Door Viewer

The easy-to-install Adaptable Door Viewer comes supplied with two barrels of varying lengths to allow for installation into doors between 35mm and 85mm thick.

- 160° Vision
- Popular security device for rental properties and other dwellings
- Supplied with two adjustable barrels to suit doors between 35mm and 85mm thick
- Allows occupants to quickly identify callers without needing to open the door

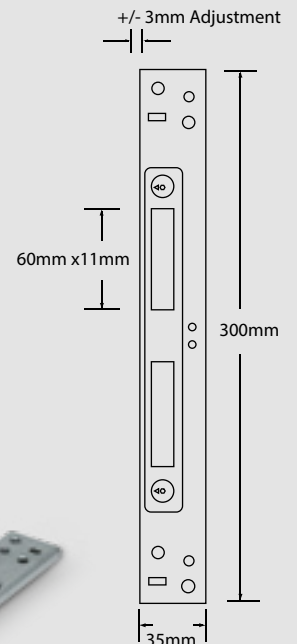


Product Code	Description
CH30070	Polished Brass (35mm - 85mm)
CH30071	Polished Chrome (35mm - 85mm)
CH30071	Polished Chrome (35mm - 85mm)

Adaptable Centre Latch & Deadbolt Keep

A centre keep suitable for use with the Chameleon Modular Repair Lock System with cam controlled adjustable locking point receivers.

- Robust steel construction
- Keep to suit Chameleon centre case (See Page 47)
- Fully adjustable packers
- Cam fastenings allow full adjustment of each locking point
- Comes with Packers
- Repair screws sold separately (See Page 41)



Product Code	Description
CH10303	Universal



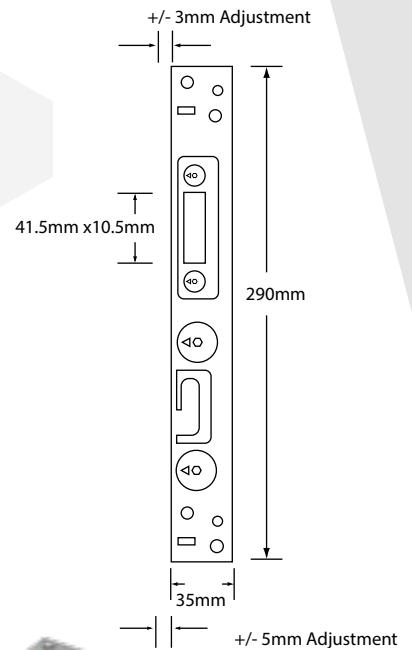
ADAPTABLE ACCESSORIES

Adaptable Lock Roller and Hook Keep

A hook & roller locking point keeps are supplied as a pair (top & bottom), they are suitable for use with the Chameleon Modular Repair Lock System with cam controlled adjustable locking point receiver.

- Supplied as a pair (top & bottom)
- Keep to suit Chameleon modular repair lock hook & roller locking points (See Page 47)
- Comes with Packers
- Repair screws sold separately (See Page 41)
- Reversible Handing

Product Code	Description
CH10304	Universal

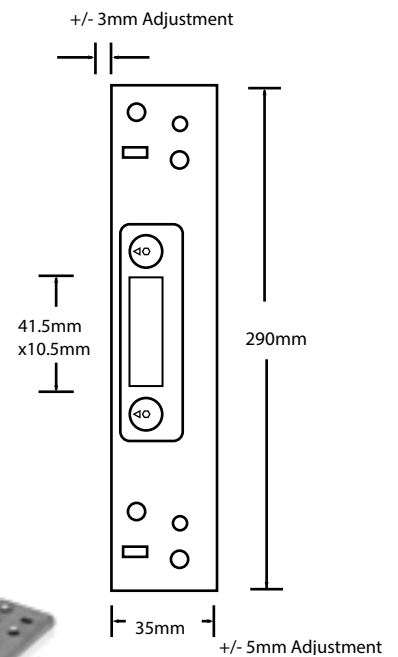


Adaptable Hook Keep

A hook locking point keep, suitable for use with the Chameleon Modular Repair Lock System with cam controlled adjustable locking point receivers.

- Supplied as a pair
- Keep to suit Chameleon modular repair lock hook locking point (See Page 47)
- Cam fastenings allow full adjustment of each locking point
- Comes with Packers
- Repair screws sold separately (See Page 41)
- Reversible Handing

Product Code	Description
CH10305	Universal



ADAPTABLE ACCESSORIES

Roller or Mushroom Keep

A reversible mushroom or roller locking point keep that is suitable for use with the Chameleon Modular Repair Lock System, it is a solid metal casting and has 2 countersunk fixing holes.

- Keep to suit Chameleon modular repair lock mushroom or roller locking points
- Reversible with different locking point on either end
- Countersunk fastening holes
- Repair screws sold separately (See Page 41)
- Reversible Handing



Product Code

Description

CH18614

Dual Keep

Half Spindles To Suit Split Spindle Applications

This pair of spindles are to suit split spindle UPVC lock cases, they are 60mm and 63mm long with the shorter spindle being used for the external side.

- Shorter spindle to suit external side
- For use with split spindle lock cases
- Allows each side to operate independently
- Repair screws sold separately (See Page 36)
- Concealed external fixing head and outer plate for increased security
- Supplied as a pair (60mm & 63mm)
- Use with the Pro & Pro XL (See Pages 4 & 7)



Product Code

Dimensions

CH10323

63mm & 60mm Pair

ADAPTABLE ACCESSORIES

Spindle And Screw Fixing Kit

This pack is ideal to have when installing UPVC doors & windows, the bolts & spindle are supplied long so that they can be cut down to size on site if required.

- Suits the majority of UPVC door handles
- 1 x 160mm long 8mm spindle
- 2 x 80mm bolts - Fixings included



Product Code	Finish
CH30023	White
CH30024	Black
CH10494	Polished Brass
CH10495	Nickel Plated

M5 UPVC Hollow Fixing Kit

This 10 pack of M5 bolt with countersunk head and hollow fixings is specifically designed for use on UPVC applications. Once the hollow fixings is inserted into a 9mm hole. Screw the bolt in which in turn will pull the hollow fixing tight. Making loose screws a thing of the past.

- Countersunk bolt head for a flush finish
- Pack contains 10 x M5 bolts & 10 x M5 hollow fixings
- Specifically designed for UPVC installation
- Use a 9mm drill to install hollow fixing



Product Code	Dimensions
CH10464	M5 x 40mm Screw - Pack of 10
CH30039	M5 x 50mm Screw - Pack of 10

ADAPTABLE ACCESSORIES

Fixing Tab To Suit UPVC Door Locks

This product is simple and effective, if you have fixed screw holes in the mechanism but the hole behind them is unusable then fix this tab to the door lock with the plastic fir tree fixing and then screw in the other hole for a stable fixing.

- Includes metal tab & plastic fir tree fixing
- Allow fixing of mechanism in door when original screw hole is unusable
- Easy push fit fir tree fixing
- Suitable for use on UPVC door locks



Product Code	Description
CH10439	Silver

Cockspur Handle Fitting Wedge

These plastic wedges are installed on the window frame with a cockspur handle, they have chamfered edges to assist in providing a tight seal when the window is secured shut.

- Used on the window frame to close the handle against
- Available in a range of sizes (3mm to 8mm)



Product Code	Description
CH21725	White- 3mm
CH21726	White- 4.5mm
CH21727	White- 5mm
CH21728	White- 6mm
CH21729	White- 8mm
CH21730	Wedge Kit - 3mm, 4.5mm, 5mm, 6mm & 8mm

ADAPTABLE ACCESSORIES

Window Espag Handle Non-Locking Button

This button allows you to swap out the key operated lock on the range of Chameleon adjustable espag handles. Once successfully installed, this button provides a permanent means of unlocking and operating the handle, ideal for egress applications.

- Supplied as button only (espag handles supplied separately)
- Used to convert standard espag handles to egress handles
- Non locking, always allows exit if installed correctly



Product Code	Finish
CH18409	Green
CH24143	White

Multi-fit Packer

Sold individually, these Multi-fit Packers from Chameleon are designed to suit most UPVC locking mechanisms.

- Sturdy black ABS plastic construction
- Designed to fit behind the keep to suit different profiles
- 2 hole fixings
- Designed to fit the majority of UK profiles
- Can be used with full length keeps (See Page 14 & 15)



Product Code	Description
CH30108	Plastic

ADAPTABLE ACCESSORIES

UPVC Repair Screws 4.3mm X 32mm

These Chameleon countersunk screws are ideal for the installation of reinforced UPVC doors and windows. They are supplied in packs of 1,000, have self drilling tips and countersunk heads for a flush finish.

- Self drill tip
- Zinc plated finish
- Suitable for use on reinforced UPVC applications
- Supplied in packs of 1,000
- Countersunk head for flush finish



Product Code	Description
CH18619	4.3mm x 32mm
CH18620	3.9mm x 25mm

Window Espag Handle Screw Cover

Available in a variety of finishes, this Chameleon screw cap is suitable for use on both the Chameleon inline and offset espagnolette window handles.

- Screw cover to suit Chameleon espagnolette handles



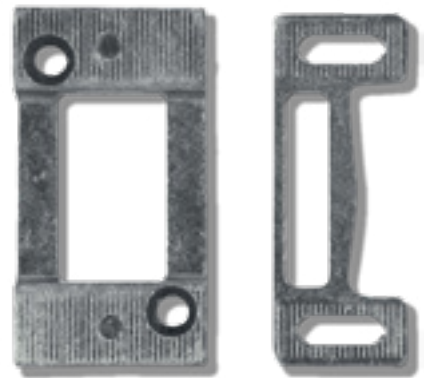
Product Code	Description
CH30063	Polished Brass
CH30064	Polished Chrome
CH30065	Brushed Chrome
CH30066	Black
CH30067	White

ADAPTABLE ACCESSORIES

Universal Tongue Keep

This universal tongue keep from Chameleon is suitable for use on espagnolette windows.

- Universal keep
- To suit espagnolette windows



Product Code	Description
CH30029	Universal Keep

Spindle To Suit Espag Window Handle

Various spindle sizes to suit the Chameleon espagnolette window handles.

- Various spindle sizes to suit Chameleon espag window handles
- Sizes to fits over 95% of casement windows

Product Code	Description
CH30014	10mm
CH30015	15mm
CH30016	20mm
CH30017	30mm
CH30018	43mm
CH30019	55mm



ADAPTABLE ACCESSORIES

Spindle Kit To Suit Window Handle

The Chameleon spindle kit to suit espagnolette window handles features four spindle sizes including 15mm, 30mm, 43mm & 55mm.

- Chameleon spindle kit
- Complete with 4 sizes: 15mm, 30mm, 43mm & 55mm



Product Code	Description
CH30020	Kit - 15mm, 30mm, 43mm & 55mm

Cylinder Bolt Thrower Tool

This cylinder throwing tool is designed for use when fitting locks that take a cylinder. The lock can be operated with this product by simply inserting it and turning when the cylinder is not yet fitted, it is suitable for both Oval and Euro profile cylinder locks.

- Key head hole for ease of storage
- Suitable for Oval & Euro profile locks
- Used to operate the mechanism when no cylinder is present
- Ideal for testing UPVC locks



Product Code	Description
CH10587	Plastic

ADAPTABLE ACCESSORIES

Spindle Sleeve Converter

This square tube simply slides over the existing spindle to increase its width, therefore making it compatible with the majority of followers.

- Converts smaller spindles to a larger size
- Full metal construction



Product Code	Description
CH30091	Converts 5mm Spindle to 8mm
CH30092	Converts 7mm Spindle to 8mm
CH30093	Converts 8mm Spindle to 9mm
CH30094	Converts 8mm Spindle to 10mm

Espagnolette M5 x 8 x 65mm Screw

M5 x 8 x 65mm Screw from Chameleon to suit the Chameleon range of espagnolette window handles.

- M5 x 8 x 65mm Screw
- To suit Chameleon espagnolette handles



Product Code	Description
CH30021	M5 X 8 X 65mm Screw

ADAPTABLE ACCESSORIES

Repair Lock Packer

This robust hard plastic universal packer from Chameleon features multiple cut outs for ease of installation.

- Packer to suit repair locks
- Multiple cut outs for easy installation
- Height: 27mm
- Width: 30mm
- Depth: 6.5mm



Product Code	Description
CH30003	Plastic

M6 X 8mm Repair Lock Grub Screw

This M6 threaded 8mm grub screw from Chameleon is ideal for window repairs.

- Length: 8mm
- Diameter: 6mm
- Grub screw
- Use with CH3003 Packer



Product Code	Description
CH30002	M6 x 8mm



ADAPTABLE ACCESSORIES

Inline Window Espag Handle

Supplied without a spindle, the Chameleon espagnolette inline window handle are designed to fit over 95% of casement windows and is available in a range of stylish finishes.

- Built-in 90 degree stop to prevent excessive force on the espagnolette gearbox
- Fits over 95% of casement windows
- Comes with key and cap cover

Product Code	Finish
CH30048	White
CH30049	Polished Brass
CH30050	Polished Chrome
CH30051	Satin Chrome
CH30052	Black

Supplied
without spindle
(See Page 42)



Offset Locking Window Espag Handle

Product Code	Finish
CH30053	White - LH
CH30054	White - RH
CH30055	Polished Brass - LH
CH30056	Polished Brass - RH
CH30057	Polished Chrome - LH
CH30058	Polished Chrome - RH
CH30059	Satin Chrome - LH
CH30060	Satin Chrome - RH
CH30061	Black - LH
CH30062	Black - RH

Supplied
without spindle
(See Page 42)



ADAPTABLE ACCESSORIES

Overnight Lock/Gearbox

This repair lock Euro centre case can be used either stand alone as an overnight lock or as the central component of the Chameleon Modular Repair Lock System. It has a 16mm faceplate so is ideally suited for use on UPVC and composite doors

- Supplied with Centre Keep



Product Code	Description
CH30040	25/92 - 16mm Face
CH30041	28/92 - 16mm Face
CH30042	30/92 - 16mm Face
CH30045	35/92 Nightlatch - 16mm Face
CH30043	40/92 Nightlatch - 16mm Face
CH30044	45/92 Nightlatch - 16mm Face

Extension Set - Mushroom & Roller

This 2 mushroom & 2 roller extension set for the Chameleon UPVC Modular Repair Lock has a 16mm faceplate which makes it ideal for use on UPVC / composite doors, the extensions are croppable making them extremely versatile.

- 16mm Faceplate - Suitable for UPVC and composite doors
- Easy to fit
- Supplied with keeps



Product Code	Description
CH30046	Supplied with Keeps



ADAPTABLE ACCESSORIES

Extension Set - Hook & Roller

This 2 hook & 2 roller extension set for the Chameleon UPVC Modular Repair Lock has a 16mm faceplate which makes it ideal for use on UPVC / composite doors, the extensions are croppable making them extremely versatile.

- Two strips supplied
- 16mm Faceplate - Suitable for UPVC and composite doors
- Supplied with adjustable strike & packers



Product Code	Description
CH30047	Supplied With Keeps

Locksmith Multi Tool

This multi tool is such a useful piece of equipment, it can measure cylinder requirements, operate mechanisms, operate followers and drive spindles; the perfect addition to any serious installers tool kit.

- Female Spindle Operator - The head has 2 spindle sockets (6mm & 8mm) to measure and operate spindles
- Bolt Thrower - Insert into a Euro or oval lock case and use to operate the mechanism
- Cylinder Gauge - Markings on the shaft to determine accurate cylinder length



Product Code	Finish
CH10554	Metal

ADAPTABLE ACCESSORIES



UPVC Maintenance Set

UPVC Maintenance set from Chameleon for use on windows and doors, supplied complete with cleansing agent, gasket cleanser, maintenance spray, cleaning cloth and instructions.

- Skin safe
- Easy to apply
- Eco friendly
- Cleansing agent removes dirt
- Seal maintenance spray prevents embrittlement of door and window seals

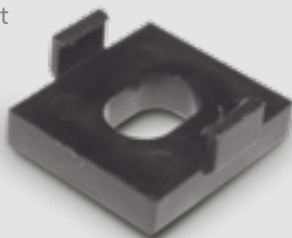


Product Code	Description
CH30110	UPVC Maintenance

4mm Packers To Suit Friction Stays

This 4mm packer (supplied in packs of 20) is easy to install and is used to convert a Chameleon friction hinge with a step height of 13mm into a friction hinge with a step height of 17mm. With this small packer you can now just hold the one friction hinge in stock but be able to provide both step heights.

- Supplied In Packs Of 20
- Converts 13mm step height to 17mm
- For use with all Chameleon friction stays (See Page 32 & 33)
- Easy to fit



Product Code	Description
CH10661	4mm (pack of 20)

Window Espag Handle Key

This cut cylinder key is to suit the Chameleon range of Espag handles.

- Cylinder Key
- Keyed Alike
- Cut key to suit Chameleon espag handles (See Page 20 & 21)

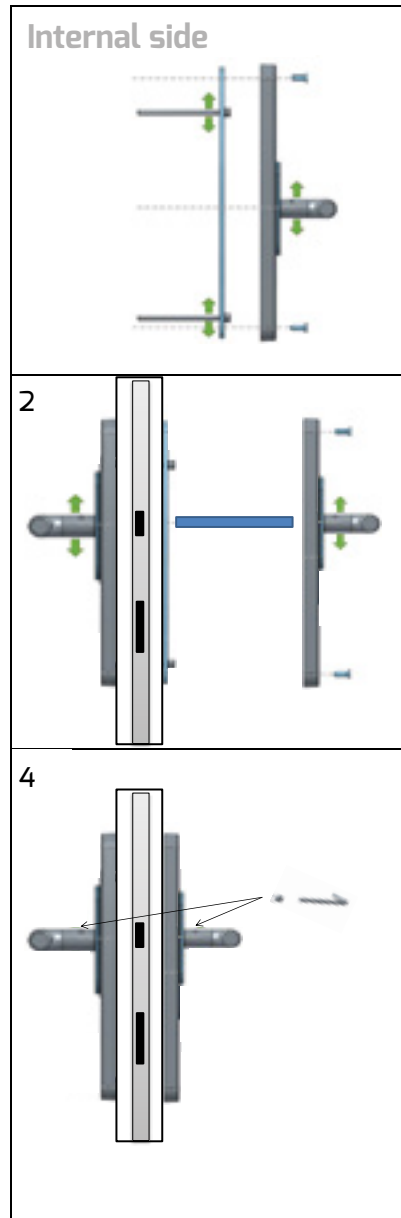
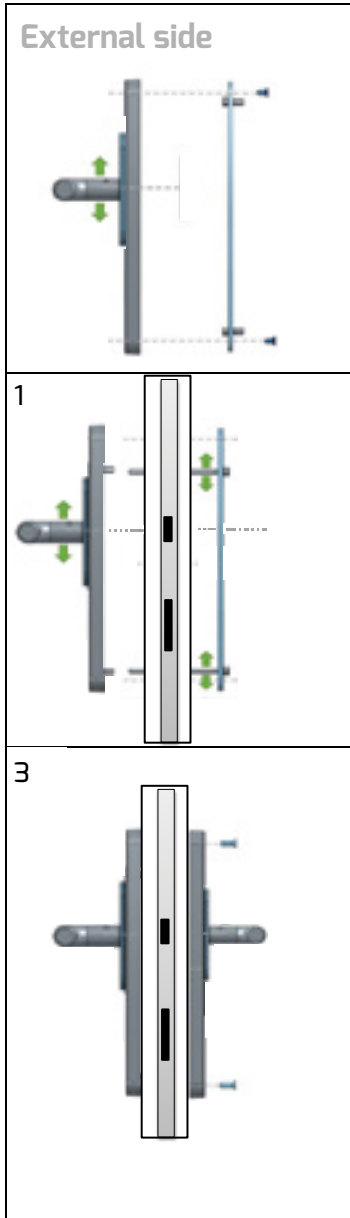


Product Code	Description
CH18408	Suit Chameleon Espag Handles



PRO HANDLE INSTRUCTIONS

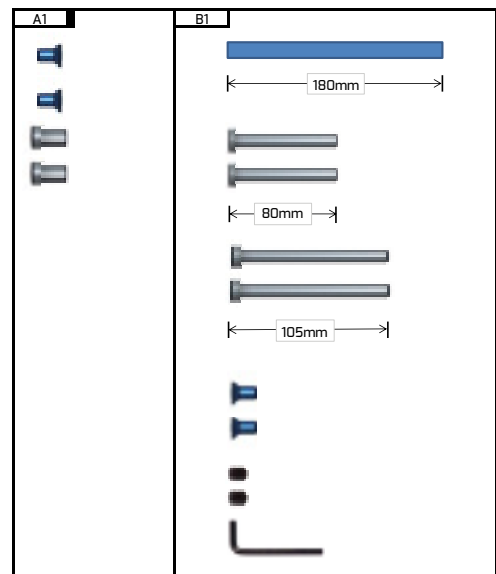
How to fit a Chameleon Pro or Pro XL Handle



What's inside

External side use Pack A1.

Internal side use Pack B1.



Use the QR Code

To see the PRO in action.



CONTACT

“Get in touch with us today for further information...”

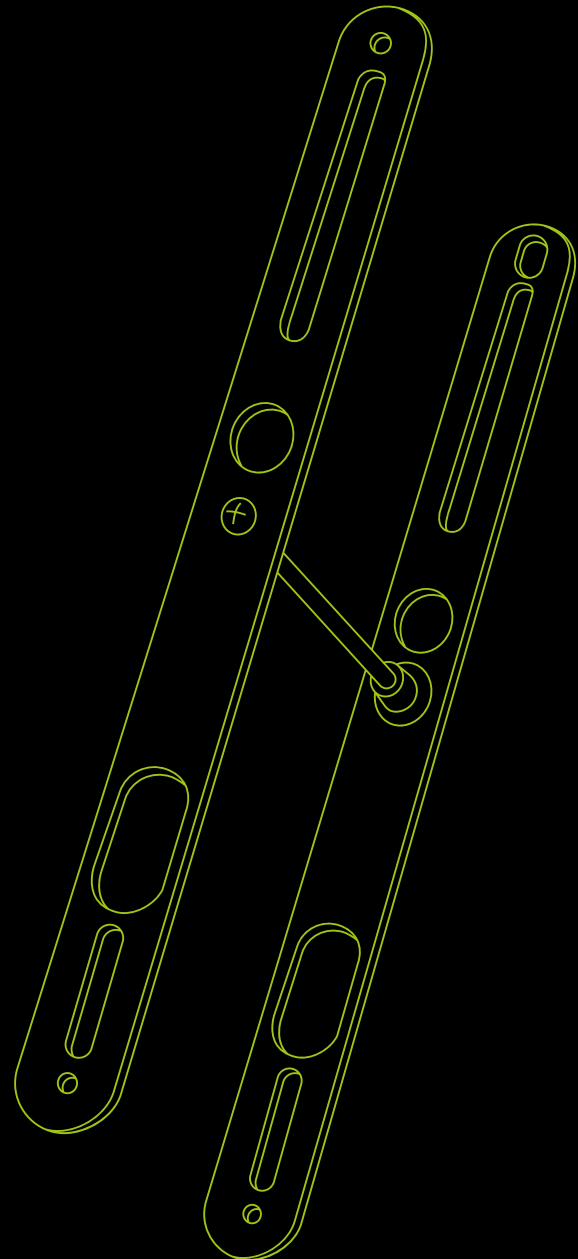
Chameleon has been designed to replace the majority of hardware found on doors and windows. The adaptability of chameleon makes it the number one choice for the trade and DIY market.

NAME:

ADDRESS:

NUMBER:

sales@chameleonhardware.co.uk
www.chameleonhardware.co.uk



0719



Chameleon a brand of Asec Security

www.chameleonhardware.co.uk